

## GD-EL 2+2+2

### GD LARGE DIAMETERS

Self-centering chuck  
with 6 jaws linked by 2+2  
for integral machining  
of large sized rings  
*WITHOUT TILTING OF THE PART  
IN ONE SET-UP ONLY*

- Sizes achievable up to  $\varnothing$  7000 mm
- Full machining thru one positioning only
- Control by hydraulic cylinder
- Jaws linked two by two
- Max. clamping force 400 kN
- Clamping stroke control device

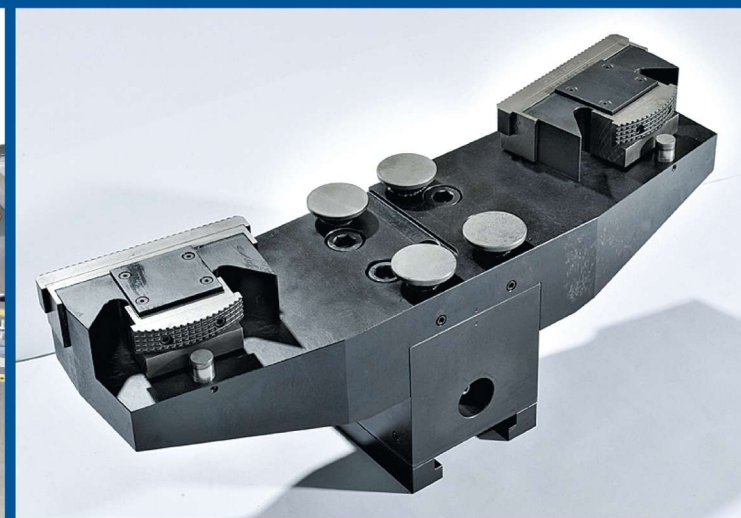
# LARGE DIAMETERS

# GD-EL 2+2+2

Self-centering chuck with 6 jaws linked by 2+2  
for integral machining of large sized rings  
*WITHOUT TILTING OF THE PART IN ONE SET-UP ONLY*

**For alternative use** on not deformable rigid components or of only finishing operations, balanced two by two action can be nullified and make the 6 jaws self-centering by a manual or automatic device.

- **Control** by hydraulic with one piston and distributor with 2 manifolds +1 recovery.
- **Device for continuous stroke control** of cylinder piston.
- **Jaws quick shifting system.**
- **Protected guides.** With oil wiper packing to eliminate impurities on jaw guide surface.
- **Forced lubrication.** Lubrication and cleaning of all ways are assured by a manifold inserted in the rotating distributor.



The Rotomors **GD-EL self-centering chucks** are equipped with the clamping change system inside/outside and system integration "jaws linked by couples + lifting arms + quick shifting of the jaws".  
**In this way you can machine the ring without tilting or repositioning.**

## Optional devices

This type of **GD SELF-CENTERING LARGE DIAMETER CHUCK** can be arranged, on request, with following devices:

- **Mechanical devices with balancing mass** to compensate centrifugal force.
- **Insert steel guides**, hardened and ground.
- **ELECTRONIC CONTROL** total clamping force.
- **ELECTRONIC CONTROL** single jaw clamping force.

**On request we can study customized solutions. Non-binding data/sketches, subject to modifications or technical improvements**

### ROTOMORS S.p.A.

Via A. Maserati già Via S. Paolo, 62/64  
10095 Grugliasco - Torino (Italy)

☎ +39 011 78 57 57  
info@rotomors.com

### ROTOMORS FRANCE Sarl

7, Zone Artisanale Beptenoud Nord  
38460 Villemoirieu (France)

☎ +33 4 741825 22  
info@rotomors.fr

### ROTOMORS GmbH

Albert-Einstein-Str. 2  
70806 Kornwestheim (Deutschland)

☎ +49 7154 816 04 60  
info@rotomors.de

